



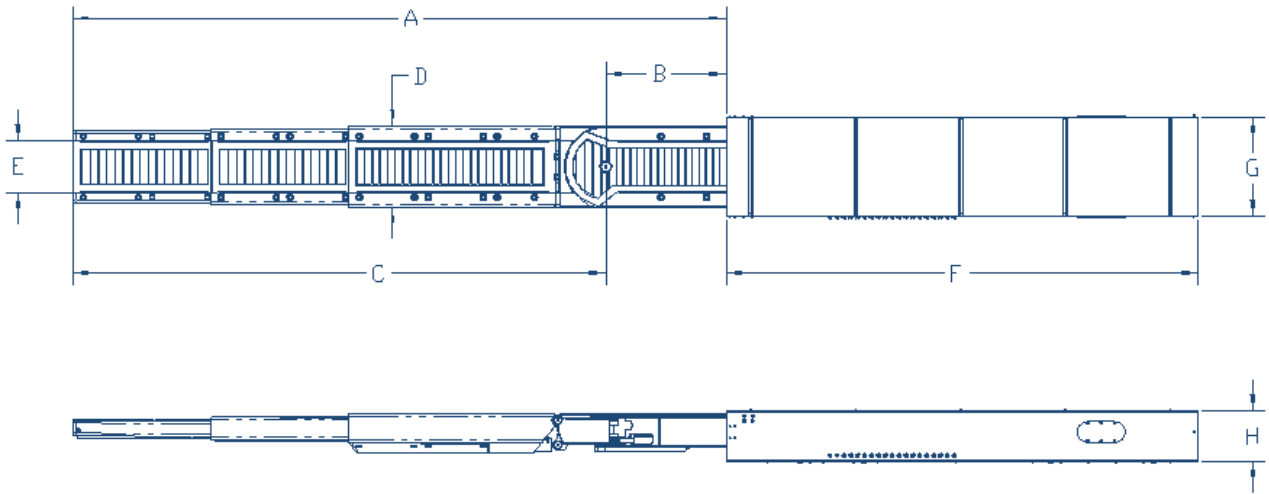
Double Telescopic Passerelle

The double-telescoping type passerelle is a design that increases the stowed efficiency of the plank. By doubling the plank-sections the ratio of stowed length to deployed length is increased. This allows the pocketing hydraulic passerelle to stow in shorter spaces in the yacht. The passerelle may be deployed with the telescoping sections extended or retracted. This allows the pocketing hydraulic passerelle to be used in a variety of boarding conditions.

The double-telescoping passerelle luffs +/- 20 degrees and slews a total of 90 degrees. Nautical Structures' hydraulic self-centering, slew-lock and float functions are Standard features incorporated into the design of the telescoping passerelle, eliminating the need for electric limit/proximity switches. This provides long-term reliable performance in a wet marine environment with reduced maintenance requirements.



Double Telescopic Passerelle



#	Gangway Length from end of Box Extended		Car Length Box to center of rotation		Length from rotation		Plank Width		Walking Surface		Box Length		Box Width		Box Height	
	A		B		C		D		E		F		G		H	
	in	mm	in	mm	in	mm	in	mm	in	mm	in	mm	in	mm	in	mm
19894	166.69	4234	35.00	889	131.65	3344	27.00	686	18.50	470	164.16	4170	29.50	749	13.38	340
7867	204.75	5201	18.00	457	185.25	4705	25.00	635	25.00	635	185.00	4699	32.00	813	15.50	394
20818	210.89	5357	20.88	530	190.01	4826	23.50	597	15.63	397	141.00	3581	26.00	660	13.00	330
20842	210.89	5357	20.88	530	190.01	4826	23.50	597	15.63	397	141.00	3581	26.00	660	13.00	330
17401	223.01	5664	61.36	1559	161.62	4105	27.00	686	18.50	470	184.50	4686	29.50	749	13.38	340
17388	238.40	6055	43.40	1102	195.00	4953	29.00	737	19.00	483	171.00	4343	36.00	914	18.00	457
12838	270.75	6877	30.50	775	244.75	6217	36.50	927	26.90	683	221.00	5613	43.50	1105	17.50	445
17259	295.00	7493	32.25	819	261.75	6648	36.50	927	27.75	705	197.00	5004	43.50	1105	18.00	457
25018	295.35	7502	78.00	1981	172.88	4391	25.00	635	15.00	381	177.97	4520	43.50	1105	18.00	457
9261	296.50	7531	66.25	1683	230.25	5848	34.50	876	23.50	597	221.00	5613	43.50	1105	18.50	470